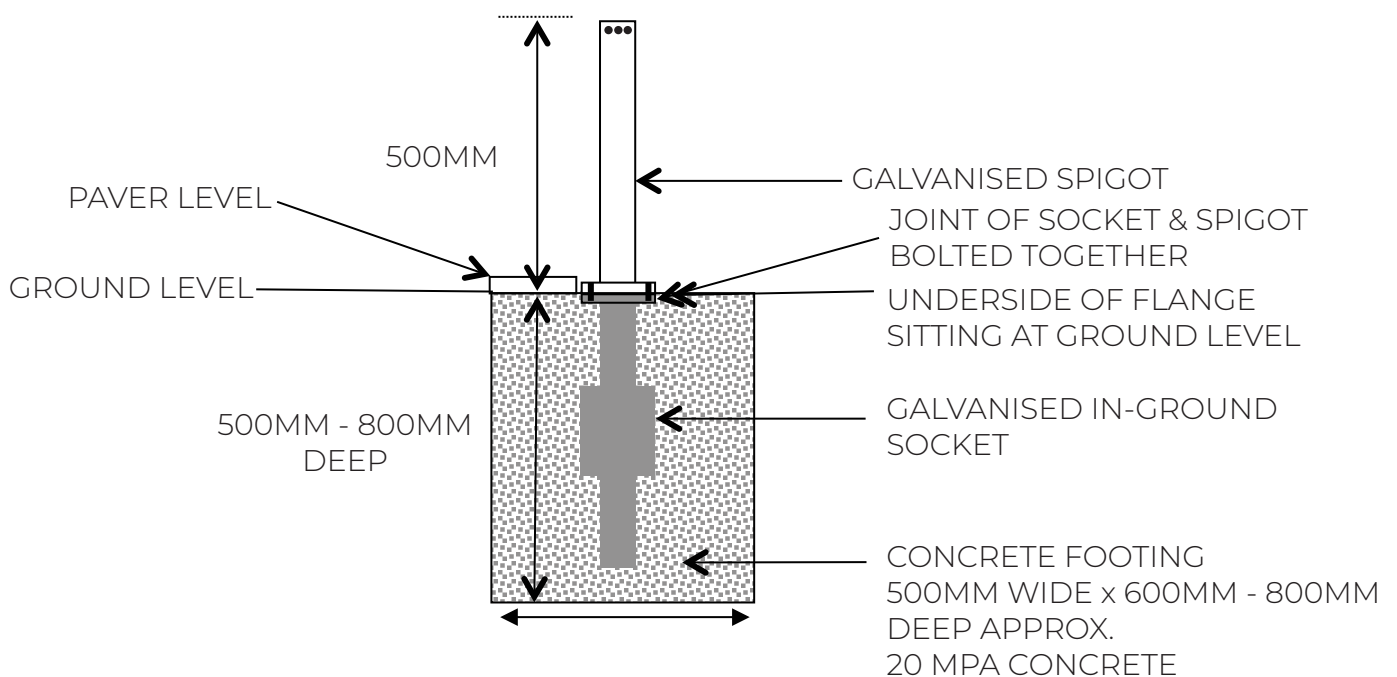


# ASTA

## OPTIONAL IN-GROUND BASE (NOT INCLUDED)



- A hole must be dug for the cementing of the 50cm long In-ground Base (Please note: The size of the hole and the amount of concrete to be used will be dependant on the softness of the soil. Hard soil / rock may require only 50cm wide hole, 50cm deep and 2 or 3 (x 20kg) bags of sand cement mix. Soft soil would need a wider hole and maybe 4 or 5 bags)
- The in-ground base must be installed vertically into wet cement
- The 25cm diameter top flange must be checked dead level with a spirit level
- The top of the flange should be level with the top of the cement but screw the 4 bolts (supplied) into the holes to keep them free of cement
- Leave the concrete for 1 week to harden
- Secure the 25cm round umbrella base flange onto the cemented In-ground Base Flange, using the 4 countersunk head bolts supplied, fully tighten
- The umbrella mast can now be attached and your ASTA used



FOR FURTHER INFORMATION CONTACT US



**Shade Australia Pty Ltd**

A: 91 Stanley Road Ingleburn NSW 2565

E: [info@shadeaustralia.com.au](mailto:info@shadeaustralia.com.au)

P: 1800 155 233 or 02 9605 5560

W: [shadeaustralia.com.au](http://shadeaustralia.com.au)



EST. SUMMER 2000