



# LYNDEN

## PRODUCT SPECIFICATIONS

A STURDY CANTILEVER  
UMBRELLA WHICH IS **WELL  
CONSTRUCTED** & LOADED WITH  
FEATURES & FUNCTIONALITIES  
FOR YOUR CONVENIENCE, STYLE  
& COMFORT

### FEATURES

- 360° Rotation
- Easy to operate tilt feature
- Aluminium frame
- Olefin canopy
- Wind up handle & height adjust
- Installation options to suit you

FOR FURTHER INFORMATION CONTACT US



ESTD SUMMER 2000

### Shade Australia Pty Ltd

A: 91 Stanley Road Ingleburn NSW 2565

E: [info@shadeaustralia.com.au](mailto:info@shadeaustralia.com.au)

P: 1800 155 233 or 02 9605 5560

W: [shadeaustralia.com.au](http://shadeaustralia.com.au)



# LYNDEN

## PRODUCT SPECIFICATIONS



The Lynden is Shelta's smaller Square cantilever umbrella. It features a smaller version of the oval section Savannah mast. It also shares other Shelta cantilever features including 360 degree rotation with foot lock, multi pistol grip tilt lock and a quality winder to open and close the canopy.

### FABRIC

Olefin Fabric. Highly water resistant. UV Protection of 96% (UPF 20-30+).

### FRAME

A strong oval shaped aluminium frame with joints made from quality aluminium castings.

### WARRANTY

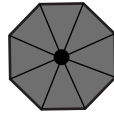
1 year manufactures warranty on the frame & a 1 year warranty on the canopy

### INSTALLATION OPTIONS

Choose between permanent or mobile base options - bolt-down baseplate, ballast block frame or the optional resin base.



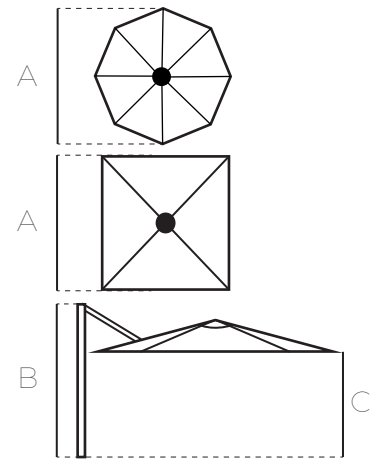
SQUARE  
2.8m



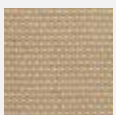
OCTAGONAL  
3.3 m

Area (m <sup>2</sup> )	7.85 m <sup>2</sup>	8.05 m <sup>2</sup>
Mast	Oval 75 x 50 mm	
Frame	Graphite Powdercoated	
Opening	Winder System	
Tilt	Variable to 60°	

Dimensions	A	2.8 m	3.3 m
	B	2.6 m	2.6 m
	C	2.0 m	2.0 m



### TEXTURE COLOURS



Sandstone



Taupe

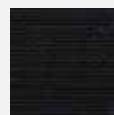


Toffee

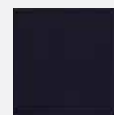


Charcoal

### SOLID COLOURS



Black



Navy