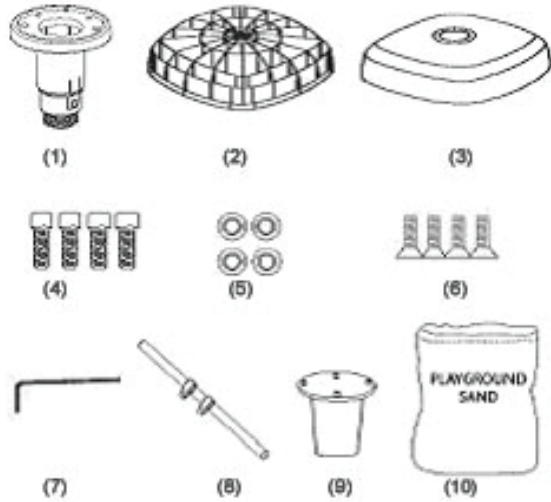


RESIN BASE

TO SUIT SAVANNAH & REGIS
SIZES: X-LARGE (WHEELED) & LARGE



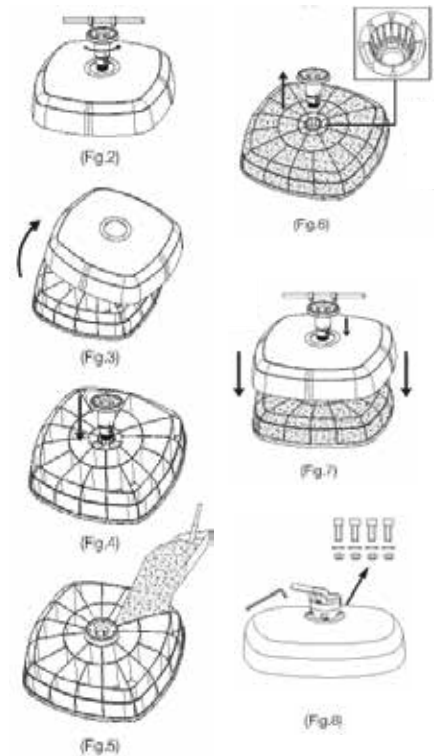
Please note: This base should be filled with sand or bluemetal ballast. Even when correctly filled and assembled, the base will not support the open umbrella in strong or gusty winds. Please do not leave the umbrella open when unattended.



No.	DESCRIPTION	QTY.
1	Base Stem	1
2	Base Shell	1
3	Base Lid	1
4	Bolts (Round Head)	4
5	Washers	4
6	Countersunk Screws	4
7	Small Allen Key	1
8	Base Stem Wrench	1
9	Steel Adaptor	1
10	Sand or Bluemetal (not included)	

ASSEMBLY INSTRUCTIONS

1. Select flat, level area to set base/umbrella
2. Lever the steel adaptor upwards with screw-driver.
3. Remove Base Stem from Base Shell using the Base Stem Wrench, rotate anti-clockwise (Fig 2).
4. Remove Base Lid (Fig 3).
5. Return Base Stem into Base Shell (Fig 4). Please Note: This step is necessary to prevent sand from entering the base stem channel. If sand does enter remove immediately as it will impede correct assembly.
6. Fill the Base Shell with dry Playground Sand or Blue Metal (Fig 5). The Resin Base holds up to 100 kg of ballast. When the base is half full, dampen the sand (if using sand) using a bucket of water. The fill the rest of the base and dampen again.
7. Remove the Base Stem, repeating Step 3 (Fig 6).
8. Place Base Lid back onto Base Shell and install the Base Stem (Fig 7). Using the Base Stem Wrench rotate clockwise, do not damage bottom thread by over tightening.
9. If it has one, remove the small steel plate from the bottom of the umbrella rotating hub. Connect the Steel Adaptor to the Umbrella Rotating Hub, using 4 Countersunk Screws supplied with the umbrella. Tighten screws.
10. The umbrella rotating hub can now be attached to Base Stem using the 4 bolts and washers (Fig 8). Tighten with large Allen Key.



FOR FURTHER INFORMATION CONTACT US



Shade Australia Pty Ltd

A: 91 Stanley Road Ingleburn NSW 2565

E: info@shadeaustralia.com.au

P: 1800 155 233 or 02 9605 5560

W: shadeaustralia.com.au

