

INGROUND BASE

INSTALLATION INSTRUCTIONS FOR
SHELTA CANTILEVER UMBRELLAS



SUPPLIED

1 x Galvanised Socket (bottom half)
4 x Bolts

INSTRUCTIONS

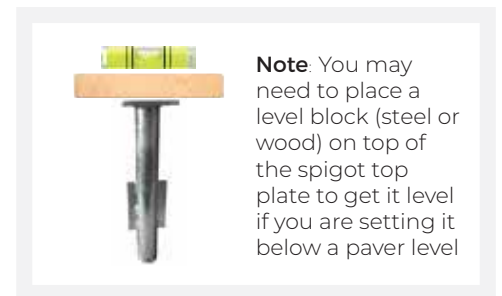
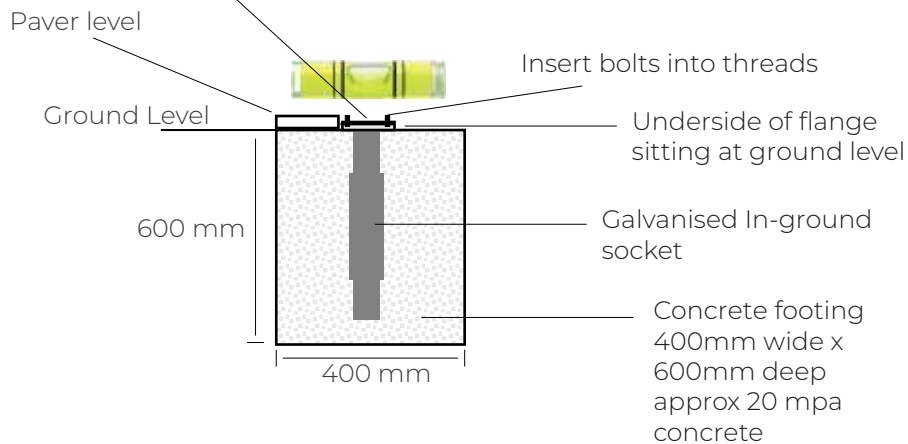
Dig hole to size indicated (assumes firm natural ground - If loose or sandy soil, footing should be bigger). Fill with concrete (20 mpa) mix. Screw bolts into threads (to prevent concrete getting into threads).

Push socket into concrete. Base must be perfectly level. Use a spirit level on top of plate to check.

It is very important to **ensure the spigot is completely vertical**. Leave for a week before installing and standing the umbrella. Remove bolts. Remove spigot section from umbrella and bolt to installed socket.

Follow normal umbrella installation procedure from then on.

Spirit Level on top - Must be level in all directions



FOR FURTHER INFORMATION CONTACT US



Shade Australia Pty Ltd

A: 91 Stanley Road Ingleburn NSW 2565
E: info@shadeaustralia.com.au
P: 1800 155 233 or 02 9605 5560
W: shadeaustralia.com.au

