



# ASTA

## PRODUCT SPECIFICATIONS

A HIGH QUALITY CANTILEVER UMBRELLA THAT IS NOT ONLY EASY TO USE BUT WILL CREATE A **SENSE OF SOPHISTICATION** TO YOUR BACKYARD FOR MANY YEARS TO COME

### FEATURES

- Infinite Tilt Positions – variable to 55°
- 360° umbrella rotation
- Detachable crank lever
- Premium Sunbrella canvas
- Permanent base options
- Wind rated to 60km/h\*

FOR FURTHER INFORMATION CONTACT US



Shade Australia Pty Ltd

A: 91 Stanley Road Ingleburn NSW 2565

E: [info@shadeaustralia.com.au](mailto:info@shadeaustralia.com.au)

P: 1800 155 233 or 02 9605 5560

W: [shadeaustralia.com.au](http://shadeaustralia.com.au)



# ASTA

## PRODUCT SPECIFICATIONS



Shelta has really been clever in designing this brilliant new upmarket cantilever umbrella. It is beautifully crafted umbrella with an easy to use opening and closing mechanism and an almost automatic gliding tilt system. With infinite tilt positions and a 360° umbrella rotation to follow the sun all hours of the day.

### FABRIC

Premium quality Sunbrella Fabric. Highly water resistant. 5 yr fade resistant warranty UPF 50+

### FRAME

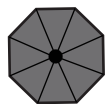
Powder coated Aluminium frame engineered to achieve 60kph wind rating.\*

### WARRANTY

2 year manufactures warranty on the frame.

### INSTALLATION OPTIONS

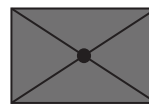
Choose between on concrete bolt down base or the optional inground base. Due to its heavy construction the Asta is not suitable for a movable base option.



OCTAGONAL  
4.0m

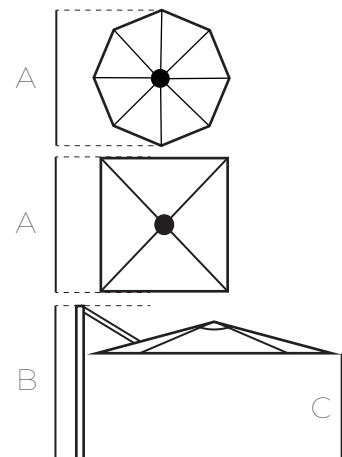


SQUARE  
3.5m

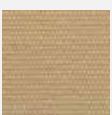


RECTANGLE  
3.0 x 4.0m

Area (m <sup>2</sup> )	12.2 m <sup>2</sup>	12.25m <sup>2</sup>	12m <sup>2</sup>	
Mast	Oval 120 x 76 mm			
Frame	Shadow Silver / Anthracite Powder coated			
Opening	Detachable Winder System			
Tilt	Variable to 55°			
Dimensions (mm)	A	4000	3500	3000 x 4000
	B	2820	2820	2820
	C	2110	2190	2190



### CANOPY COLOURS



Natural



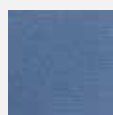
Beacon Ash



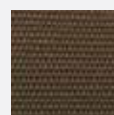
Black



Canvas Coal



Capri



Taupe

\*Wind ratings have tested under university controlled conditions. We recommend closing this umbrella in windy conditions. Wind damage is not covered by warranty.