



COOLUM

PRODUCT SPECIFICATIONS

A BEAUTIFULLY ENGINEERED UMBRELLA WITH A DISTINCTIVE MIRROR FINISH FRAME THAT IS PERFECT FOR DOMESTIC APPLICATIONS.

FEATURES

- Mirror finish aluminium frame
- Stainless steel & resin fittings
- High quality O'Bravia canopy
- 2 different sizes available
- UPF 50+ (98% UV Protection)
- Double rope and Pulley opening

FOR FURTHER INFORMATION CONTACT US



Shade Australia Pty Ltd

A: 91 Stanley Road Burning NS 2565

E: info@Australopithecus

P: 1800 155 233 or 02 9605 5560

W: shadeaustralia.com.au



COOLUM

PRODUCT SPECIFICATIONS



The Shelta Coolum is a stylish umbrella perfectly suited to domestic situations. It's particularly distinctive mirror finish anodised aluminium frame makes this umbrella stand out in any situation.

FABRIC

High quality O'Bravia Canopy with a UPF 50+ (98% UV Protection). Highly water resistant.

WARRANTY

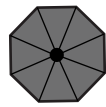
1 Year manufacturers warranty on the frame and a 3 Year fade resistant warranty on the fabric.

FRAME

The Coolum features a stylish mirror finish anodised Aluminium frame.

INSTALLATION OPTIONS

This umbrella requires a base that will fit a 38 mm pole.



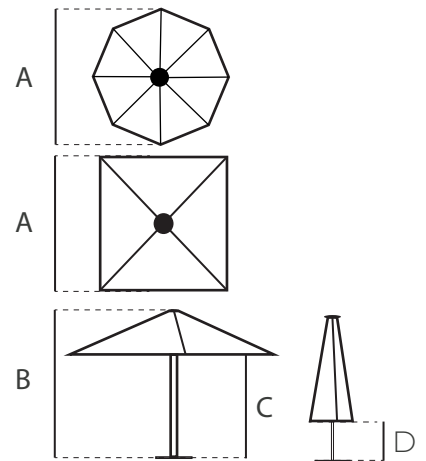
OCTAGONAL
3.0 m



SQUARE
2.2 m

Area (m ²)	4.9 m ²	6.7 m ²
Mast 2pc	38 mm Diameter	
Frame	Anodised Aluminium	
Opening	Double Rope & Pulley	

Dimensions (mm)	A	3000	2220
	B	2400	2400
	C	2150	2050
		920	850



CANOPY COLOURS

