



# SEVILLE

## PRODUCT SPECIFICATIONS

LARGE MARKET UMBRELLA  
DESIGNED FOR DOMESTIC USE.  
**HIGH QUALITY** HARDWOOD  
PLANTATION GROWN IN  
MALAYSIA.

### FEATURES

- Plantation grown hardwood timber
- Aluminium rib ends
- Single piece pole for strength
- Olefin canvas UPF 20-30
- 8 colours available
- Large 4.0m Octagonal size

FOR FURTHER INFORMATION CONTACT US



Shade Australia Pty Ltd

A: 91 Stanley Road Ingleburn NSW 2565

E: [info@shadeaustralia.com.au](mailto:info@shadeaustralia.com.au)

P: 1800 155 233 or 02 9605 5560

W: [shadeaustralia.com.au](http://shadeaustralia.com.au)



# SEVILLE

## PRODUCT SPECIFICATIONS



Manufactured by the renowned company Shelta, the Seville is a large market umbrella designed mostly for home use. Providing large shade coverage with the generous 4 metre Octagonal size. The single piece central piece pole gives it strength and style.

### FABRIC

Hard wearing Olefin canvas with It has a UPF of 20-30 (95-97% UV Protection).

### WARRANTY

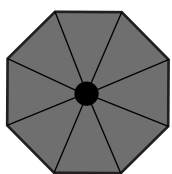
This product has a 1 year fade resistance warranty on the fabric.

### FRAME

Lacquered hardwood timber frame sourced from sustainable timber from plantations in Malaysia.

### INSTALLATION OPTIONS

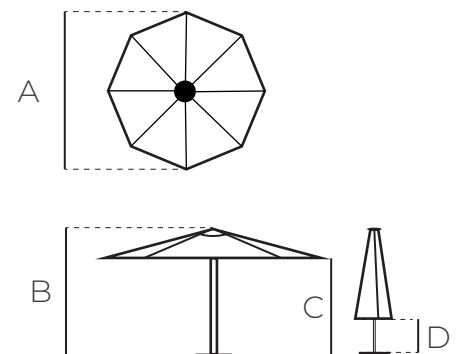
This umbrella requires a base that will fit a 48 mm pole. We recommend the Sunranger Baseplate. No set up required.



OCTAGONAL  
4.0 m

Area (m <sup>2</sup> )	11.8 m <sup>2</sup>
Mast	48 mm
Frame	Hardwood Timber
Opening	Rope & Pulley

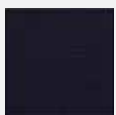
Dimensions (mm)	A	4000
	B	2730
	C	2200
	D	590



### CANOPY COLOURS



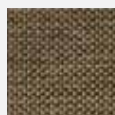
Black



Navy



Forest



Tweed



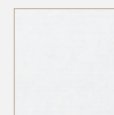
Toffee



Sandstone



Natural



White