



AG5A CANTILEVER UMBRELLA



*Easy-opening cantilever umbrella
with Olefin canvas canopy*

Important Safety Information




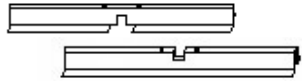

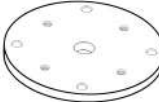


This umbrella is not a permanent shade structure and must be lowered when unattended or in windy conditions. Excessive wind puts stress on the frame, which can cause damage to the umbrella and danger to people. This umbrella is not recommended for exposed environments such as high balconies or roof tops. Do not install on sloping or soft ground. Please carefully read the following instructions; if in doubt, consult a qualified trades-person. Only use recommended Shelta bases or anchoring systems.

To ensure a long life for your AG5A Cantilever umbrella:

- Close the umbrella and cover with the Protective Sleeve between uses.
- Store in a dry, shaded location if not used for long periods.
- The umbrella should be hosed regularly with fresh water if exposed to salt spray or pollution.
- Soiling of the canopy can be minimised by simply brushing off dirt before it becomes embedded in the fabric or spot cleaning soon after stains occur. Fabrics may be treated with a fabric protector such as 'Scotchguard' for additional protection.
- Do not close or store the umbrella when wet; if it is necessary to close a wet umbrella in stormy weather, remember to open and dry the canopy as soon as weather conditions allow.
- Every 6 months spray the Rotate Bearing and Ballast Block Frame with WD40 or deoderised fish-oil.
- Regularly check that the base of the umbrella is properly secured.

AG5A Components

After unpacking the carton, please make sure that you have the following parts:

COMPONENT	REF	QTY	
AG5A Side-post and Umbrella	A	1	
Protective Sleeve	B	1	
Lower Side-post	C	1	
Ballast Block Frames	D	2	
Rotate Bearing	E	1	
Onground Plate	F	1	
Screws 23mm and allan key	G	2	
Screws 20mm and washers	H	4	

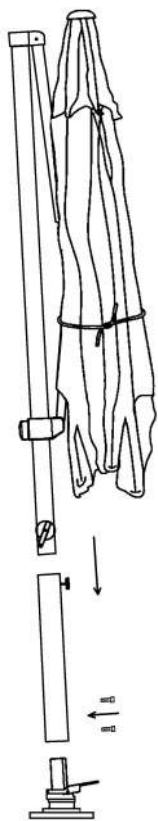


Fig 1

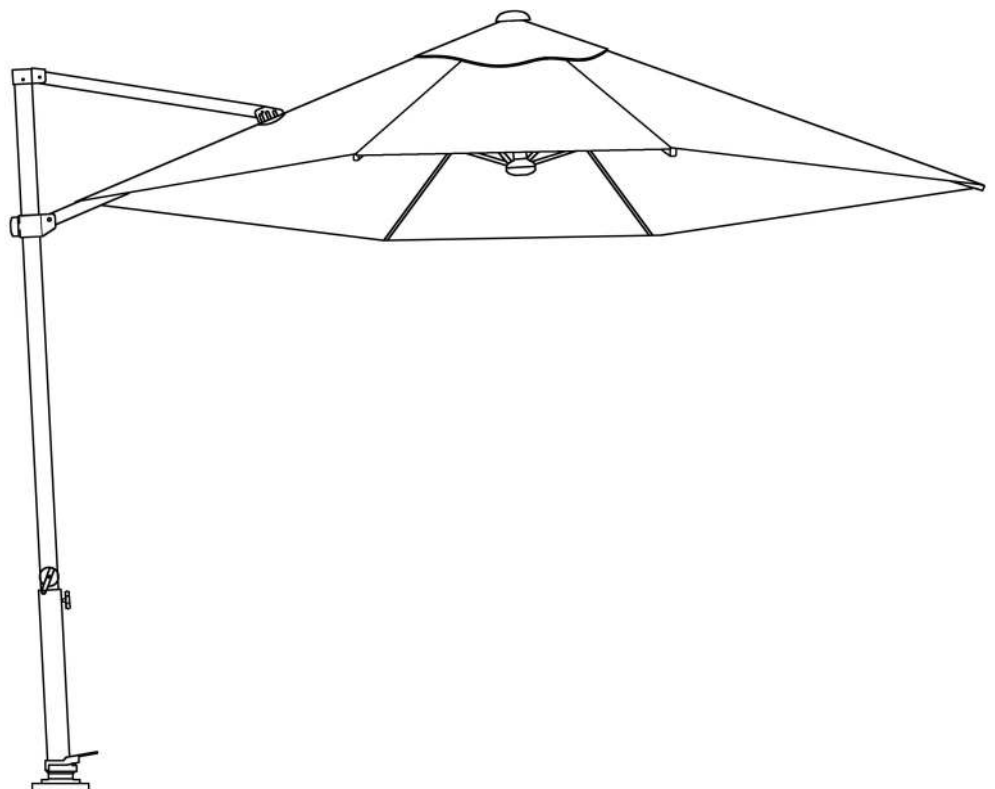


Fig 2

AG5A Mounting Options

Mounting Option 1: Onground Plate (F included).

Suitable for a concrete slab (minimum 10cm thick) or a concrete column (30cm diameter by 75cm deep). With this option the umbrella can be rotated. Purchase 4 Stainless Steel masonry anchors such as 10mm x 75mm Dynabolts from your local hardware.

1. Place the Onground Plate (E) in the required location. Use metal spacers if the surface is not flat and horizontal. Mark the position of the 4 corner holes with a felt pen. Use a 10mm masonry bit to drill holes to a depth of 80mm. Fasten the Plate to the slab using the 4 masonry anchors.
2. If necessary, remove the Rotate Bearing (D) from the bottom of the Side-post and attach to the Onground plate using the four M8 x 20mm bolts and washers provided

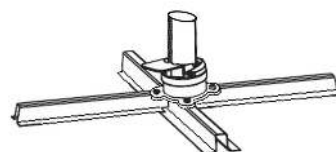


The Umbrella may also be bolted to a wooden deck using the same hardware however it is strongly recommended a builder reinforce the deck with extra joists under the boards and the pass-through stainless steel bolts or 100mm M12 galvanized or stainless steel coach bolts go through the joists.

Mounting Option 2: Ballast Block Frame (D included).

Suitable for most surfaces including grass. **This should be ballasted with between 110 and 140 kilograms of weight.** Purchase at least 6 Shelta Resinstone Ballast Weights or concrete pavers (45 x 45 x 4cm) from your outdoor retailer or hardware.

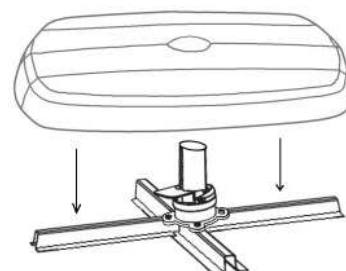
1. Assemble the 2 parts of the Ballast Block Frame (C) at right angles.
2. If necessary, remove the Rotate Bearing (D) from the bottom of the Side-post and attach to the Ballast Block Frame using four M8x20mm screws and washers provided.
3. Place the assembled frame in the required location. Note: for safe use the surface should be flat and horizontal.
4. Place at least 6 Resinstone or paving blocks on the assembled frame with double-stacked blocks on the side opposite the umbrella.



Mounting Option 3: Shelta Water-filled Resin Base (not included).

Suitable for most surfaces including timber decks. Purchase a Shelta Small Resin base from your local retailer. Note: the Onground Plate is not required for this option.

1. Assemble the 2 parts of the Ballast Block Frame (D) at right angles.
2. Attach the Rotate Bearing (E) to the Ballast Block Frame using four M8x20mm screws (H) and washers provided.
3. Place the assembled frame in the required location. Note: for safe use the surface should be flat and horizontal.
4. Fill the 4 sections of the resin base with water and place over the Ballast Block frame.



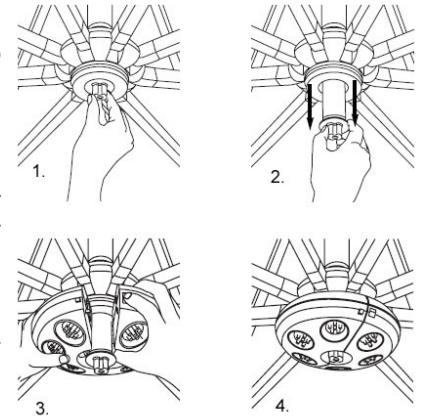
Installing and operating the AG5A Umbrella

While installing take care not to soil or damage the canopy by contacting nearby structures.

1. Place the Lower Side Post (C) over the Rotate Bearing stem and align the holes at the bottom of the post.
2. Insert and tighten the 2 locking screws (G) into the side of the lower post as shown in Figure 1.
3. Carefully lift the umbrella to the vertical position and insert the end of the side post into the top of the Lower Side Post.
4. Secure the connection by tightening the hand-wheel.
5. Before opening the umbrella, release the canvas band and allow the umbrella to unfurl.
6. Slowly turn the crank handle in a clockwise direction; if the canopy does not begin to open, check that the umbrella ribs are not tangled. **DO NOT FORCE THE CRANK HANDLE.**
7. As the umbrella begins to open, unscrew the runner locking knob and manually raise the side-post runner while turning the crank handle. The umbrella will be easier to open if the canopy is horizontal.
8. Continue to wind the crank handle until the umbrella is fully open but do not apply excessive force.
9. Tighten the runner locking knob in the fully raised position. See Figure 2.
10. **Tilting.** To change the angle of the umbrella canopy, unscrew the runner locking knob and raise or lower the runner. Please note that the umbrella catches more wind when tilted and so the tilt feature should be used with extreme caution.
11. **Rotating.** The umbrella will rotate 360 degrees by simply stepping on the rotate pedal and turning the frame by hand.

Additional Instructions

1. **Optional LED light.** The central runner features a drop-down spigot to which the Shelta 'Flying Saucer' LED light may be attached.
2. **Protective Sleeve.** When not in use, tie the fabric band around the umbrella and side-post, then slip the unzipped Protective Sleeve over the top of the umbrella.
3. **Safety.** Never leave the umbrella unattended while open. Weather conditions can change without warning and strong gusts of wind may cause the umbrella to fall over or to break away from the mounting.
4. **Sun Protection.** The fabric on this umbrella is rated at UPF30+ and provides excellent protection. However on high UV days there can be significant reflected sunlight from sources such as windows and water for which Shelta recommends the use of protective clothing and sunscreen.



Attaching Shelta 'flying saucer' light

Warranty

Shelta warrants the frame of this product against manufacturer's faults for a period of 1 year from the date of purchase. Shelta repairs or replaces at our option.

Warranty does not cover:

- Damage caused by inadequate installation or inappropriate use
- Wind or other accidental damage
- Damage to fabric cover
- Normal wear and tear
- Commercial use
- Transport costs

Leaving the umbrella open in windy conditions voids the warranty.

Additional Information about this Warranty

In all cases the Shelta Warranty excludes normal wear and tear, wind damage, commercial use, use of unreasonable force, failure of reasonable care, failure of maintenance (as set out in detail below for each product), and incorrect assembly by the customer. The Shelta Warranty applies only to the original purchaser from the purchase date, and only covers (subject to the terms set out below) manufacturing faults or defects which occur in normal domestic use. Where a claim is made pursuant to the Shelta Warranty Shelta Australia will, at their discretion repair, refinish, replace, replace with a similar product or refund the product. Only the failed item will be replaced, not a complete setting. The Shelta Warranty period is not extended in the event of a replacement. In the event of a refund, it will be for wholesale price only. The balance of the retail price will be the responsibility of the retailer. In the event of a Shelta Warranty claim, please return the item to the store where purchased, with the original tax invoice. If the retailer cannot accept return of the product, please return to Shelta Australia at the address below. For residents outside Sydney, phone Shelta at the number below. Where the item is returned to Shelta Australia the purchaser must include the original tax invoice. The purchaser must also bear all costs associated with shipping the product to Shelta Australia and the return freight. The purchaser must also provide details of the problem with the product (such details must be sufficient for Shelta Australia to determine whether the Shelta Warranty applies).

Consumer Guarantees

Our goods come with guarantees that cannot be excluded under the Australian Consumer Law. You are entitled to a replacement or refund for a major failure and compensation for any other reasonably foreseeable loss or damage. You are also entitled to have the goods repaired or replaced if the goods fail to be of acceptable quality and the failure does not amount to a major failure.

Such guarantees may include the right to a remedy from Shelta Australia if our products are not of an acceptable quality or do not match any demonstration model or sample (as those terms are defined in the Competition and Consumer Act 2010 (Cth) (CCA). Shelta Australia will not be liable for any act, default, omission or representation made by any person other than our employees, alterations made to the product not performed by us, damage or defects due to unusual or non-recommended use, or damage or loss caused by any factors beyond our control.

Shelta Australia's total liability in respect of a claim by a consumer under the CCA for a minor problem (as defined in the CCA) with a product is limited, at our option to, providing the consumer with a refund, replacement product or repairing the product.

Subject to the above paragraphs, all express or implied representations, conditions, statutory guarantees, warranties and provisions (whether based on statute, common law or otherwise), relating to this warranty, that are not contained in it, are excluded to the fullest extent permitted by law.

Nothing in this warranty excludes, restricts or modifies any condition, warranty, statutory guarantee, right or remedy, implied or imposed by common law, statute or regulation, which cannot be lawfully excluded, restricted or modified.

Shelta Australia ©2016
ABN 12 602 964 278
PO Box 6540, Blacktown BC, NSW 2148 AUSTRALIA
Phone 61 2 8863 0400 Email admin@shelta.com.au
Made in China



www.shelta.com.au