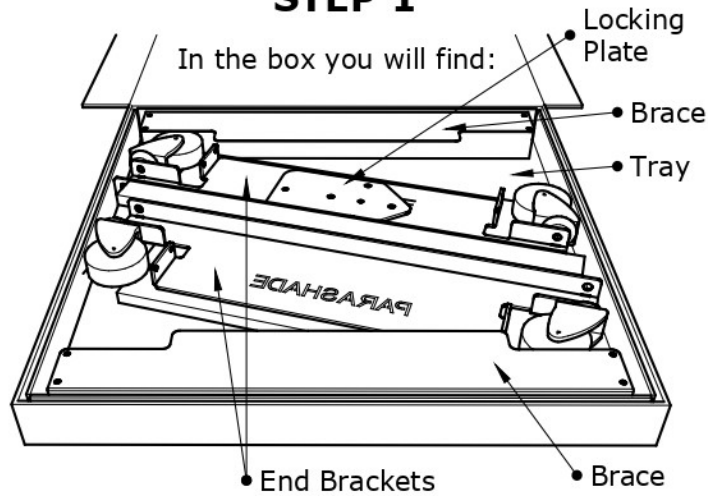
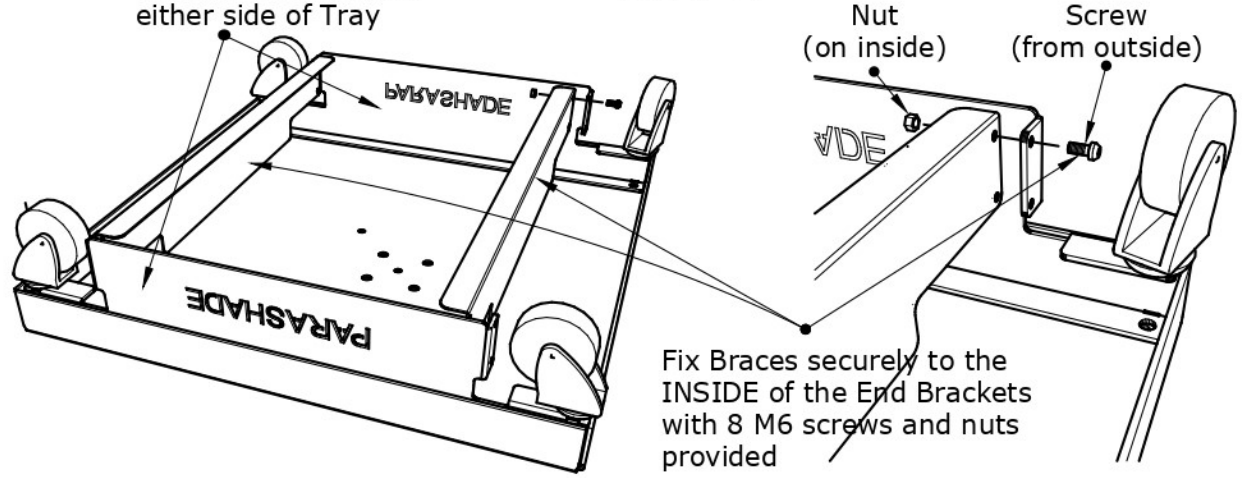


STEP 1



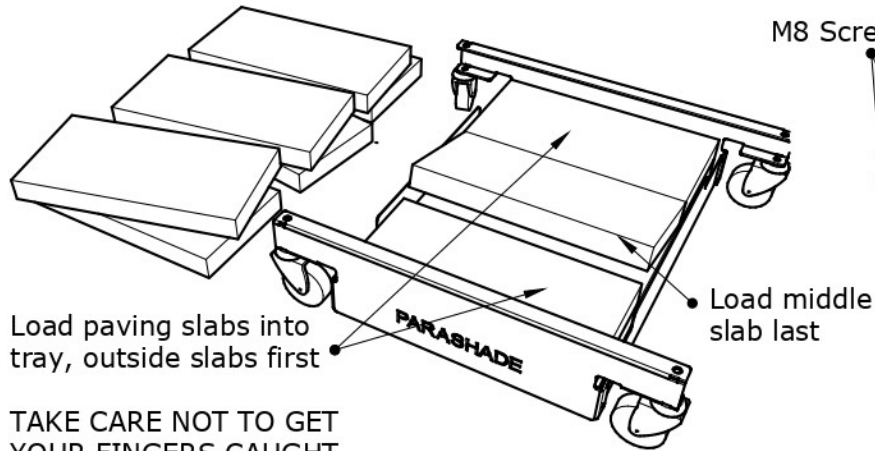
Position End Brackets either side of Tray

STEP 2

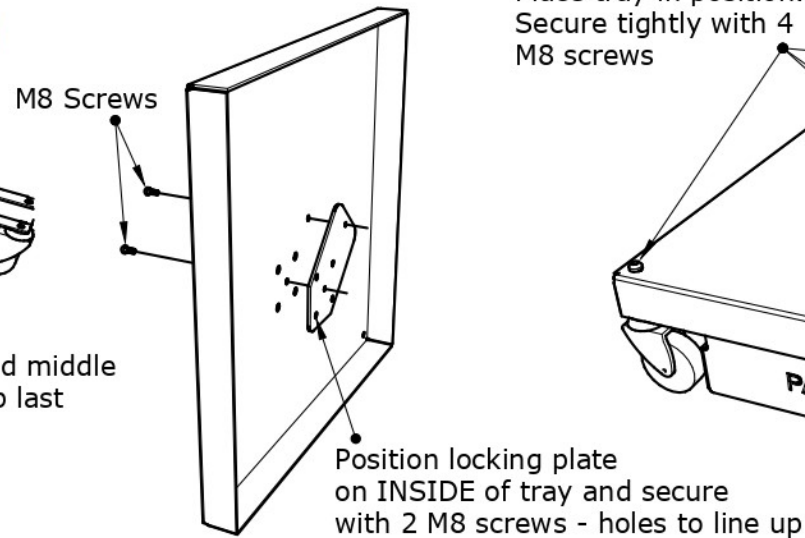


STEP 3

YOU WILL NEED:
6 Bunnings masonry pavers (400 x 200 x 40mm)



STEP 4



STEP 5

Place tray in position. Secure tightly with 4 M8 screws

