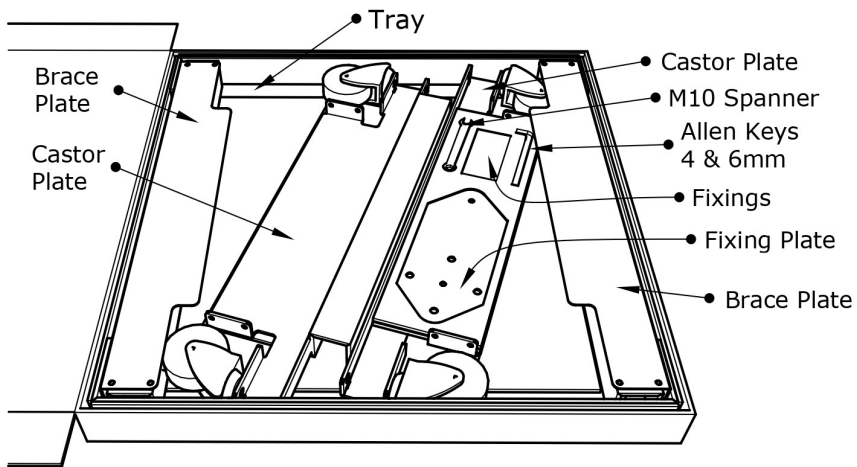


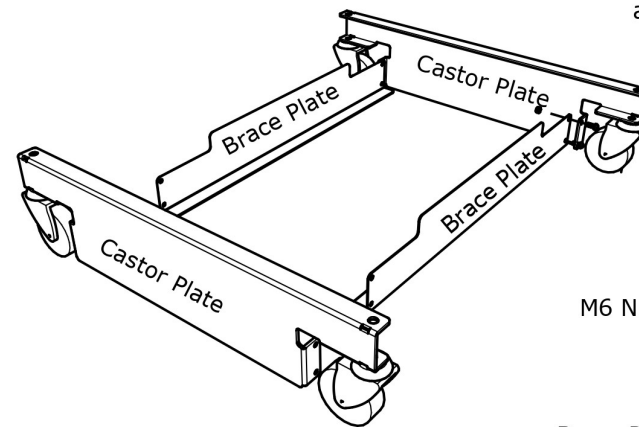
STEP 1 - OPEN YOUR BOX

In the box you will find:

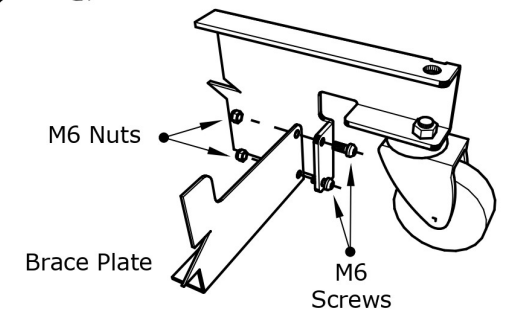


STEP 2 - ASSEMBLE THE CARRIAGE

Position brace plates on inside of fixing lugs and FINGER TIGHTEN all M6 fixings



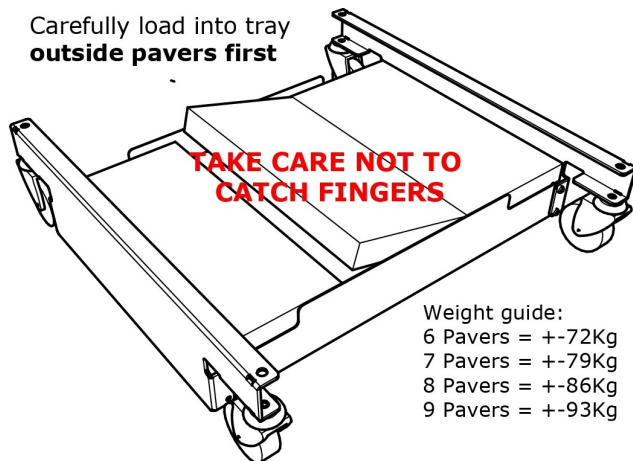
Place on castors and tighten with spanner and 4mm Allen key provided



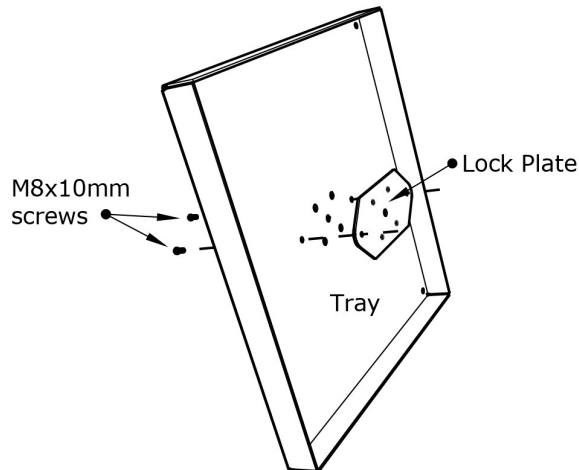
STEP 3 - LOAD THE CARRIAGE

You will need 6-9 x 400x600x50mm Bunnings Masonry Pavers.

Carefully load into tray outside pavers first



Weight guide:
6 Pavers = +-72Kg
7 Pavers = +-79Kg
8 Pavers = +-86Kg
9 Pavers = +-93Kg



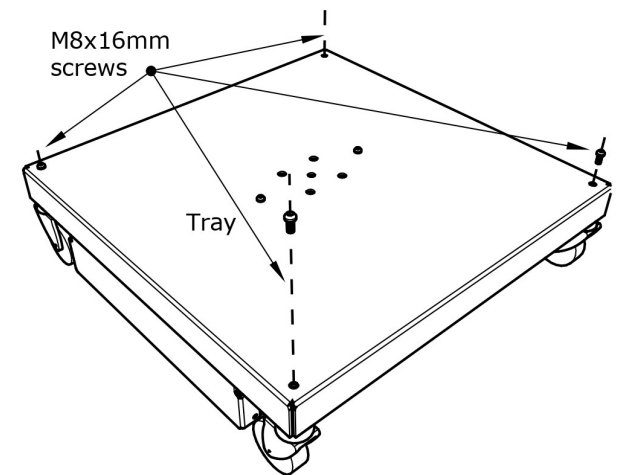
STEP 4

BOLT ON LOCK PLATE

Bolt Locking Plate onto Tray with 2 x M8x10mm screws using the 6mm Allen Key

STEP 5 - INSTALL THE TRAY

Bolt Locking Plate onto Tray with 4 x M8x16mm screws using the 6mm Allen Key



SUNRANGER FLAT-PACK BASE ASSEMBLY INSTRUCTIONS